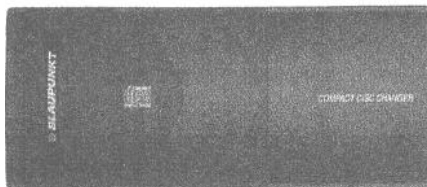




● BLAUPUNKT



CD-Changer A08

English

Preparatory steps

Loading the disc magazine

Figure 1 To load the magazine, move it into the position shown in the picture (arrow up).
Pull out the empty tray.
To be sure that all trays are correctly loaded with the right orientation, never remove more than one disc tray at a time.

Figure 2 Insert one CD per tray with the labelling facing up. Insert the tray with the disc into the magazine until it stops (locks).
You can load the magazine with a maximum of 10 discs. You can also leave individual disc trays unoccupied.

Note: Make sure not to use discs measuring 8 cm in diameter. Avoid getting fingerprints or scratches on the CD. After having removed a CD tray, take care that the disc lying on it does not fall down.

A

You may leave individual disc trays empty, though you should insert all of the trays into the magazine.

Inserting the disc magazine


Figure 3 Slide the door to the rightmost position.

Figure 4 Insert the magazine with the arrow showing up until it stops and locks.

Figure 5 Close the door sliding it back to the leftmost position.

Note: Be sure that the slider is always closed. This will protect the changer's laser lens against contamination.

Removing the disc magazine

Figure 6 Make sure to open the door completely moving it to the rightmost end and press the Eject button .
The magazine will come out automatically.

Attention: Failure to open the door completely may very likely result in damages of the-changer and the magazine!

Notes on moisture condensation

On a rainy day or when the temperature varies considerably moisture may condense on the laser lens and the unit will not operate properly.

In this case remove the disc and wait for about one hour until the moisture has evaporated.

Notes on CD

A contaminated or damaged CD can produce drop-outs in playing. To obtain optimum sound, handle the disc as follows: Keep the CD clean, and handle the disc by its edge only. If required, clean the disc with an optional cleaning cloth. Wipe the disc surface from the middle towards the edge!

Do not use any solvents such as benzene, thinner, antistatic spray or a conventional cleaning agent intended for analog discs!

Do not stick paper or tape anywhere on the disc!

Do not expose the disc to direct sunlight or high temperatures.

Do not leave the discs in a car parked in the sun. High temperatures in the car can damage the disc.

Notes on the disc magazine

Do not expose the magazine to high temperatures and humidity. Store the magazine where it is not exposed to direct sunlight (not on the dashboard or rear shelf)!
Protect the magazine against vibration!

Operation

Please refer to car stereo's owner's manual.

Technical data

Frequency response:	5 - 20 000 Hz \pm 1dB
Wow and flutter:	below measurable limit
Signal-to-noise ratio:	94 dB
Operating temperature:	-10 °C to +50 °C
(Subject to modifications without notice)	

FCC warning for USA

The equipment has been tested and found to comply with the limits for a Class B device, pursuant to Part 15 of the FCC Rules. These limits are designed to provide reasonable protection against harmful interference in a residential installation. This equipment generates, uses, and can radiate radio frequency energy, and, if not installed and used in accordance with instructions, may cause harmful interference with radio communications. However, there is no guarantee that radio interference will not occur in particular installation. If this equipment does cause harmful interference to radio or television reception, which can be determined by turning the equipment off and on, the user is encouraged to contact the dealer or an experienced Radio/TV technician for help.

You are cautioned that any changes or modifications not expressly approved in this manual could void your authority to operate this equipment.

The shielded interface cable recommended in this manual must be used with this equipment in order to comply with limits for a digital device pursuant to Sub-part B of Part 15 of the FCC rules.

Caution

- The use of optical instruments with this product will increase eye hazard.
- Because the laser beam in this compact disc player is harmful to the eyes, do not attempt to disassemble this cabinet. Refer servicing to qualified personnel only.

Safety certification

This Compact Disc Player is made and tested to meet exacting safety standards. It meets FCC requirements and complies with safety performance standards of the US Department of Health and Human Services.

Notice:

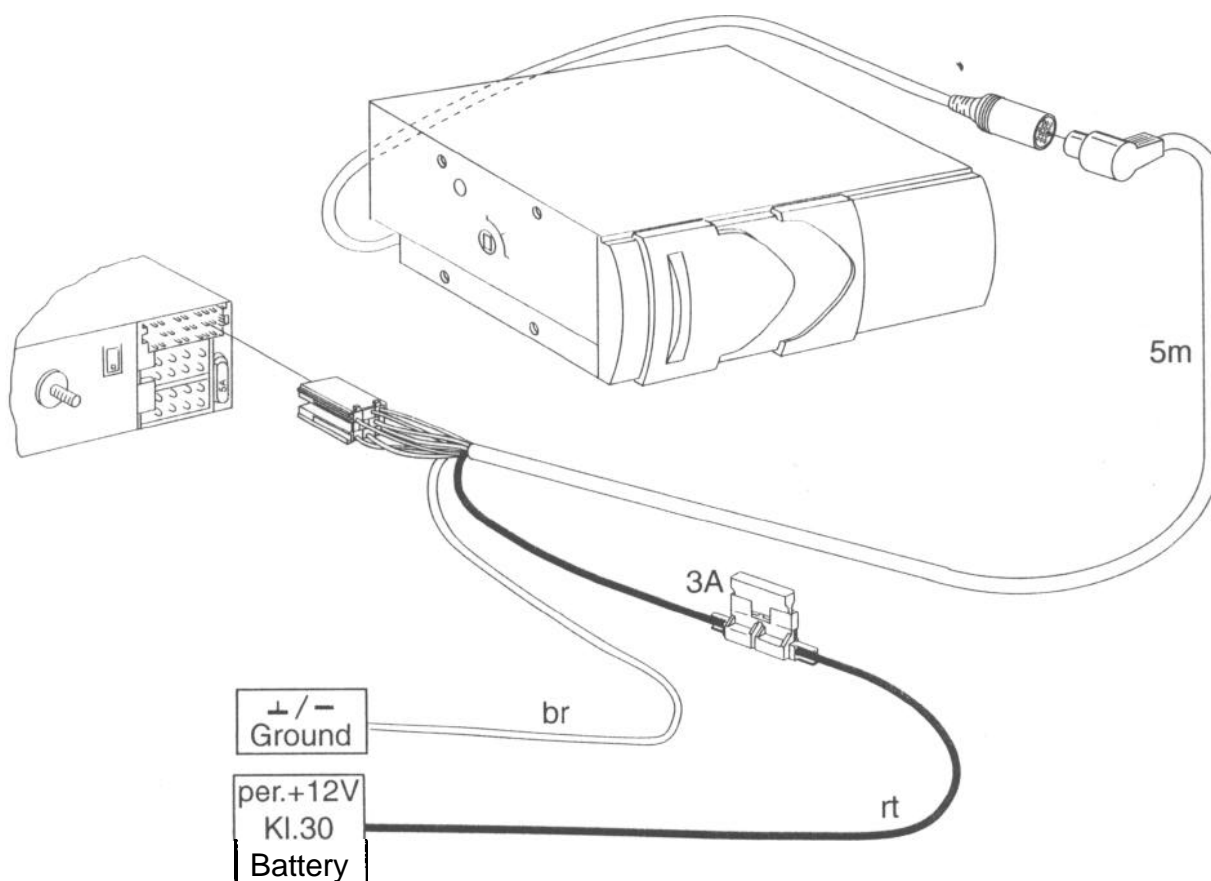
This Class B digital apparatus meets all requirements of the Canadian Interference-Causing Equipment Regulations.

Warranty: Refer to radio warranty.

- an ein Blaupunkt-Autoradio mit Disc-Management-System.
- to a Blaupunkt car stereo with Disc Management System.
- à un autoradio de Blaupunkt avec Système Disc Management.
- a un autorradio Blaupunkt con Disc Management System.

- ad un'autoradio Blaupunkt dotata di un sistema Disc-Management.
- op een Blaupunkt autoradio met DSC (Disc Management System).
- till en Blaupunkt bilstereo med Disc Management System.
- a um auto-radio Blaupunkt com sistema Disc-Management.

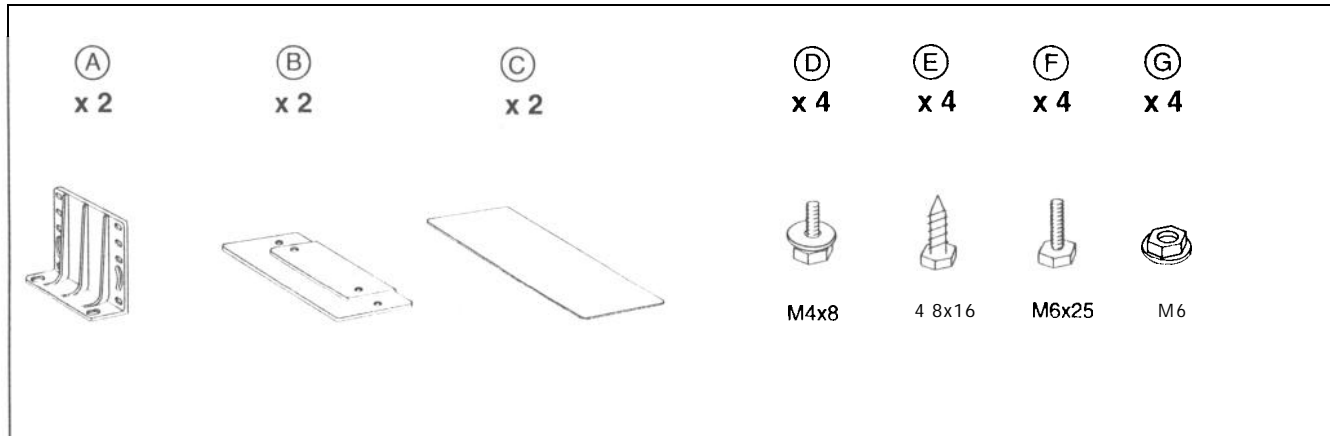
br braun, brown, marron, marrone, bruin, brun, marrón, castanho
rt rot, red, rouge, rosso, rood, rod, rojo, vermelho
bl blau, blue, bleu, blu, blauw, blá, azul, azul
gr grau, grey, gris, grigio, grijs, grã, gris, cinzento
or orange, orange, orange, arancio, oranje, orangefargad, naranja, cor de laranja
bl/wt blau/weiß, blue/white, bleu/blanc, blu/bianco, blauw/wit, blá/vit, azul/blanco, azullbranco



Blaupunkt-Werke GmbH
Bosch Gruppe

Einbauanleitung • Fitting / Installation Instructions • Notice d'installation • Istruzioni

Mitgelieferte Befestigungsteile • Supplied Mounting Hardware • Matériel de montage fourni .
Ferreteria de montaje suministrada • Componenti di fissaggio comprese nella fornitura .
Meegeleverde montagematerialen • Medføljende monteringsdetaljer • Elementos de fixação fornecidos



Zur besonderen Beachtung

- Bei der Wahl des Einbauortes ist folgendes zu beachten:
 - Der Tank darf durch die Blechschrauben nicht beschädigt werden.
 - Unter der Fläche, auf die das Gerät montiert werden soll, dürfen sich keine Drähte oder Rohrleitungen befinden.
 - Ersatzreifen, Werkzeug usw. dürfen durch die Blechschrauben nicht beschädigt werden. Achten Sie auch darauf, daß die Herausnahme des Ersatzreifens, Werkzeugs usw. nicht durch das Gerät behindert wird.
- Installieren Sie das Gerät nicht an einem Ort,
 - der Temperaturen über 55° C (z.B. in einem in der Sonne geparkten Wagen) ausgesetzt ist.
 - der sich in der Nähe von Warmluftauslässen (Heizung usw.) befindet.
 - der Regen oder Feuchtigkeit ausgesetzt ist.
 - der Staub oder Schmutz ausgesetzt ist.
 - der starken Vibrationen ausgesetzt ist.
- Für sicheren und stabilen Einbau verwenden Sie ausschließlich die mitgelieferten Befestigungsteile.

Precautions

- Choose the mounting location carefully, observing the following:
 - The fuel tank must not be damaged by the tapping screws.
 - There should be no wire harnesses nor any tubes located under the place where you are going to install the unit.
 - The spare wheel, tools or other equipment in or under the trunk must not be blocked or damaged by the screws or the unit itself.
- Do not install the unit at a place,
 - which is exposed to temperatures of more than 55° C (e.g. in a car parked in the sun).
 - which is close to hot air outlets (heating, etc.).
 - which is exposed to rain or humidity.
 - which is exposed to dust or dirt.
 - which is exposed to considerable vibrations.
- **Be sure** to use only the supplied mounting hardware for a safe and secure installation.

Precautions

- Choisir soigneusement l'endroit de montage en observant ce qui suit.
 - Le réservoir d'essence ne doit pas être endommagé par les vis à tôle.
 - Il ne doit pas y avoir de faisceau de fils ou de tuyaux à l'endroit où l'on désire installer l'appareil.
 - La roue de secours, les outils ou autre équipement dans ou sous le coffre ne doivent pas être gênés ni endommagés par les vis ou l'appareil lui-même.
- Éviter d'installer le poste à un lieu,
 - qui est soumis à des températures excédant 55° C (p. ex. dans une voiture stationnée au soleil).
 - qui se trouve près des échappements d'air chaud (chauffage etc.).
 - qui est soumis à la pluie ou à l'humidité.
 - qui est soumis à la poussière ou à la saleté.
 - qui est soumis à des vibrations fortes.
- s'assurer d'utiliser uniquement le matériel de montage fourni pour une installation correcte et sûre.

Precauzioni importanti

- Per la scelta del luogo di montaggio osservare le seguenti indicazioni:
 - fare attenzione a non danneggiare il serbatoio del carburante con le viti autofilettanti.
 - Sotto la superficie sulla quale si desidera montare l'apparecchio non devono esserci fili oppure tubi.
 - Fare attenzione a non danneggiare la ruota di scorta, attrezzi ecc. con le viti autofilettanti. Fare anche attenzione al fatto, che l'apparecchio venga montato in modo da non ostacolarVi, se dovete estrarre la ruota di scorta, gli attrezzi ecc.
- Non installare l'apparecchio in un posto,
 - esposto a temperature superiori a 55° C (per es. in un'automobile parcheggiata al sole).
 - che si trova esposto a soffi d'aria calda (riscaldamento ecc.).
 - esposto a pioggia ed umidità.
 - esposto a polvere e sporizia.
 - esposto a forti vibrazioni.
- usare esclusivamente le componenti di fissaggio fornite per garantire un montaggio sicuro e stabile.

Let op!

- Bij het bepalen van de inbouwplaats erop letten dat:
 - de brandstoftank niet door schroeven wordt beschadigd
 - direct onder het vlak, waarop de wisselaar wordt gemonteerd, geen draden of andere kabels lopen
 - het resetwiel, gereedschap e.d. niet door schroeven worden beschadigd, de gemonteerde wisselaar het uitnemen van het reservewiel, gereedschap e.d. niet belemmert
- De CD-wisselaar niet plaatsen,
 - daar waar de temperatuur tot boven 55° C kan oplopen (denk b.v. aan een in de zon geparkeerde auto!)
 - vlakbij een heteluchtuitlaat (verwarming enz.).
 - daar waar hij aan vocht, regen, stof, vuil of sterke trillingen is blootgesteld.
- Voor veilige en solide inbouw uitsluitend meegeleverde montage materialen gebruiken.

Att tänka på

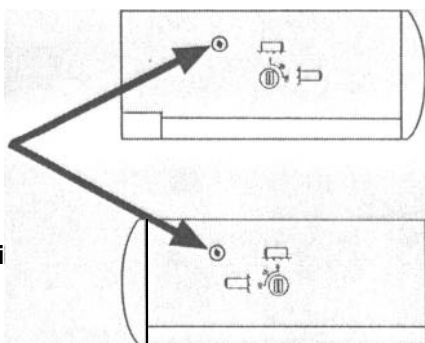
- Vid val av monteringsplats måste följande beaktas:
 - Bensintanken får ej skadas av plåtskruvar.
 - Under ytan, som växlaren monteras på, får det ej finnas några kablar eller rörledningar.
 - Se till att inte reservhjul, verktyg m m skadas av plåtskruvarna. Placera växlaren så att åtkomligheten till reservhjul och verktyg inte äventyras.
- Montera inte växlaren,
 - där temperaturen kan bli över 55° C (t ex vid direkt solbestrålning).
 - i närheten av varmluftsutsläpp
 - där den kan utsättas för regn och fuktighet.
 - där den kan utsättas för damm och smuts.
 - där den kan påverkas av starka vibrationer.
- För en säker och stabil montering, använd endast de medlevererade monteringsdetaljerna.

Precauciones

- Elija cuidadosamente el lugar de montaje, teniendo en cuenta lo siguiente:
 - El depósito de combustible no deberá dañarse con los tornillos roscachapa.
 - No deberá haber mazos de conductores ni tubos debajo del lugar donde vaya a instalar la unidad.
 - La rueda de repuesto, las herramientas, u otros equipos situados dentro o debajo del portaequipajes no deberán verse interferidos ni dañados por los tornillos ni por la propia unidad.
- No instala el aparato en un lugar,
 - donde existen temperaturas de más de 55° C (p.ej. en un coche aparcado en el sol).
 - que está junto a salidas de aire caliente (calefacción).
 - que está sujeto a la lluvia o la humedad.
 - que está sujeto al sucio.
 - que está sujeto a vibraciones fuertes.
- Para realizar una instalación segura, emplee solamente la ferretería de montaje suministrada.

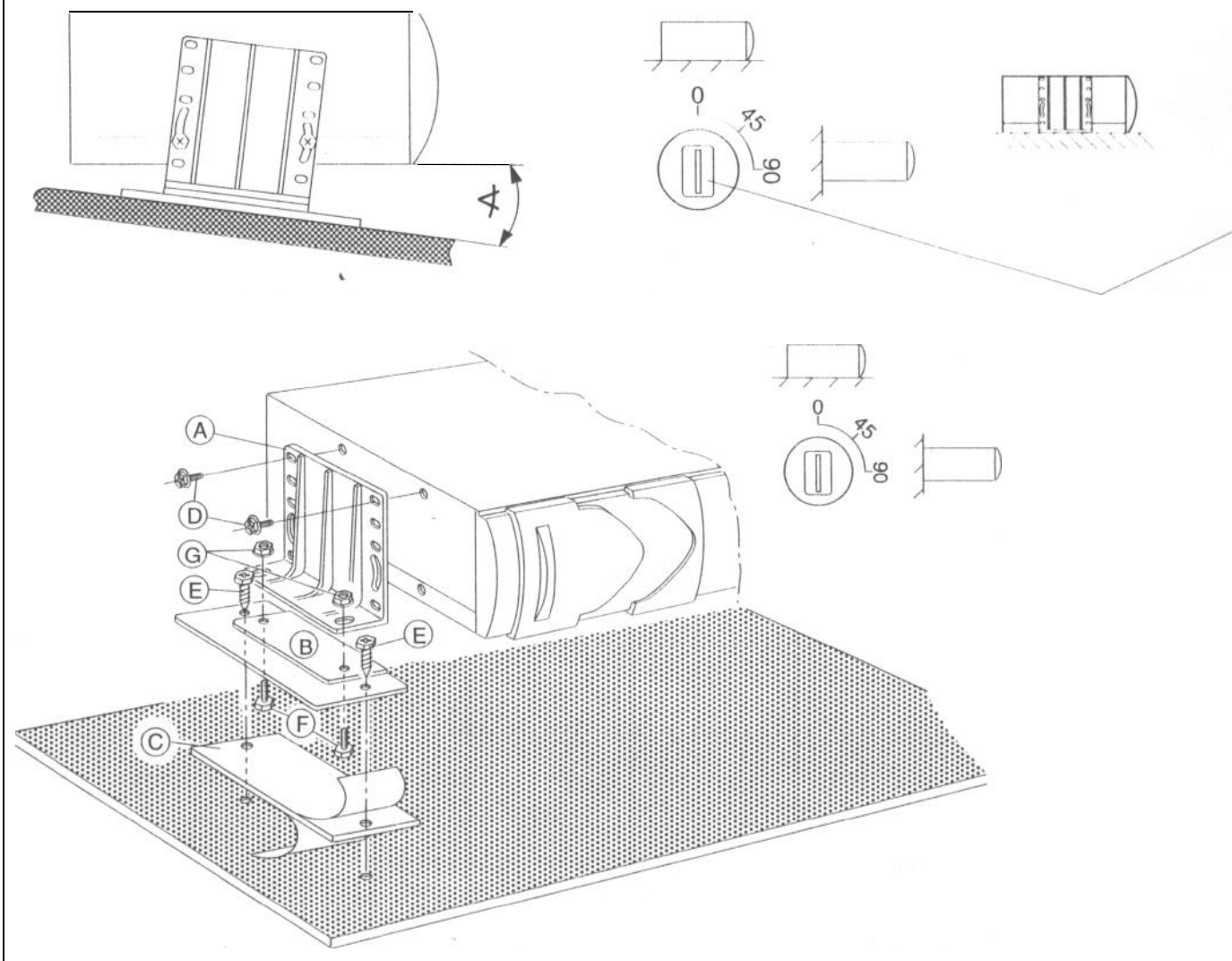
Para consideração especial

- Ao escolher o local de montagem é necessário observar o seguinte:
 - Não danificar o tanque com os parafusos de metal.
 - Sob a superfície onde o aparelho será montado, não devem encontrar-se fios ou tubos condutores.
 - O pneumático sobressalente, as ferramentas etc., não devem ser danificadas pelos parafusos de metal. Tome atenção para que a remoção do pneumático sobressalente, das ferramentas, etc., não seja impedida pelo aparelho.
- Não instale o aparelho em um local,
 - com temperatura superior de 55° C (por exemplo em um veículo estacionado sob o sol).
 - perto de escapamento de ar aquecido (aquecimento etc.).
 - exposto à chuva e humidade.
 - exposto à poeira e sujidade.
 - sujeito a fortes vibrações.
- Para uma montagem segura e estável utilize somente os elementos de fixação fornecidos.

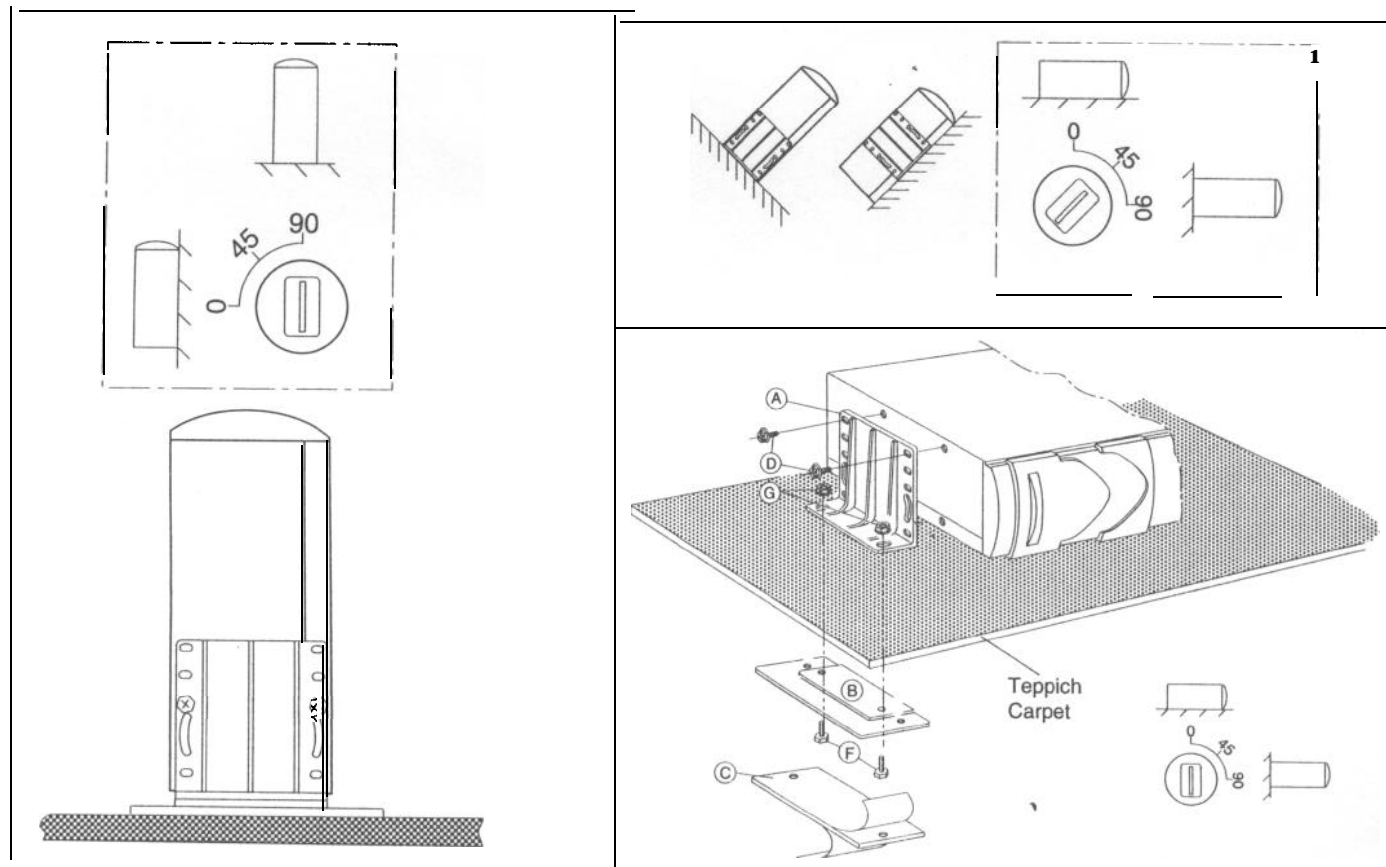


Vor der Montage die zwei Transportsicherungsschrauben entfernen.
 Undo the two transport security bolts before you start with the installation.
 Avant d'effectuer le montage, enlever les deux vis de sécurité de transport.
 Prima di effettuare il montaggio svitate le due viti di fissaggio per sicurezza di trasporto.
 Verwijder vóór de montage de twee transportbeveiligingsschroeven.
 Innan monteringen skall de tvo transportsikringsskruvarna avlägsnas.
 Remover los dos tornillos de seguridad de transporte antes de comenzar con la instalacibn.
 Antes de montar é necesario retirar os dos parafusos de segurança de transporte.

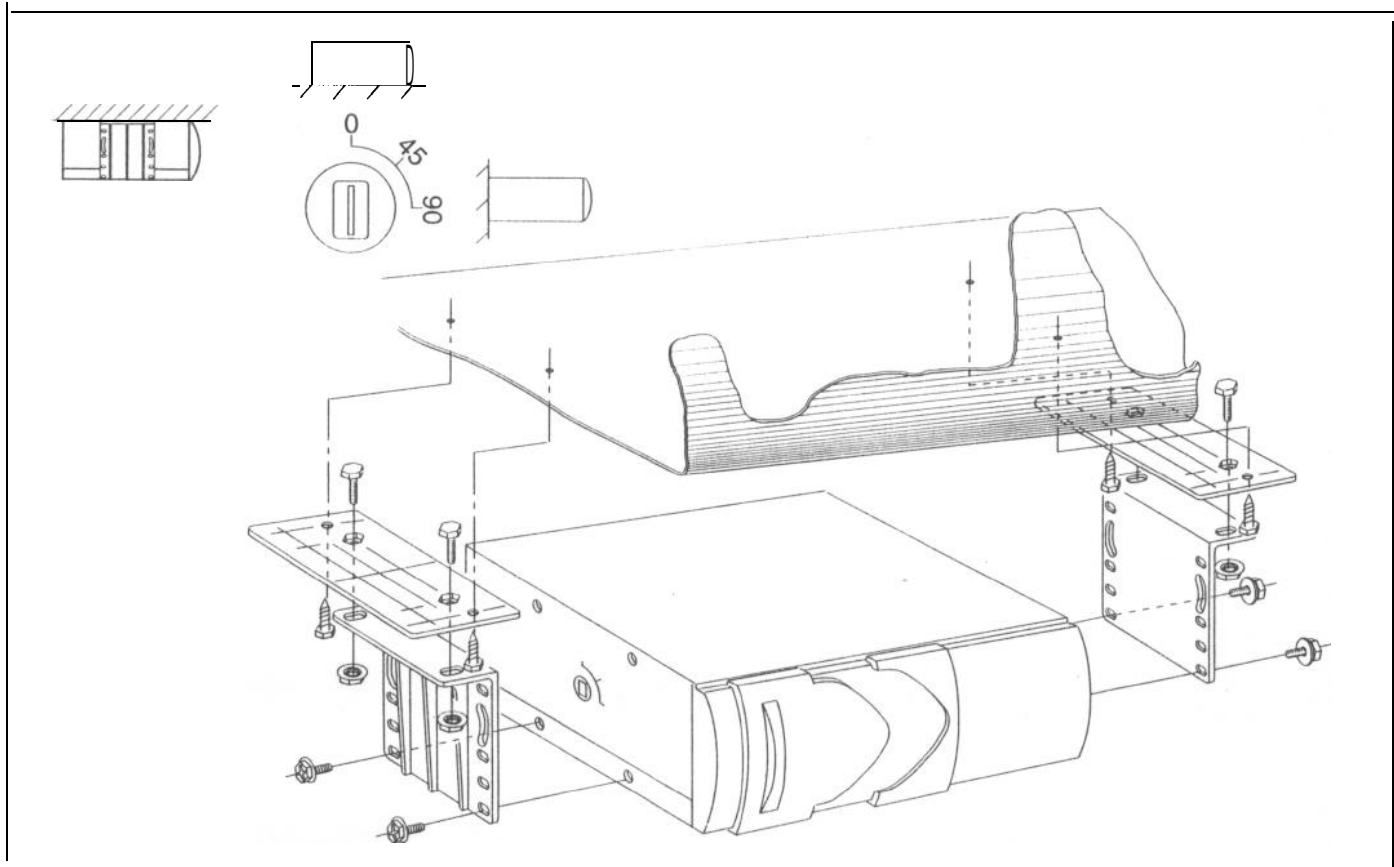
Horizontaler Einbau • Horizontal Installation • Installation horizontale de l'appareil • Instalación horizontal •
 Montaggio orluontale • Horizontale montage • Horisontell monterng • Montagem horizontal



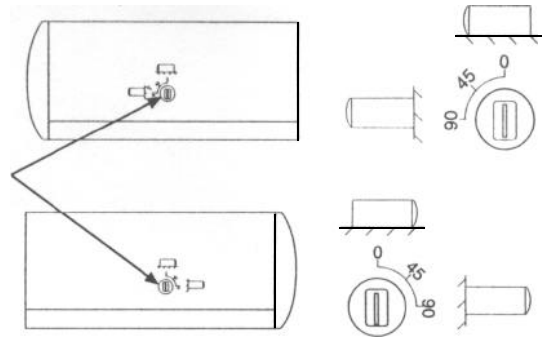
Vertikaler Einbau . Vertical Installation . Installation verticale . Instalación vertical . Montaggio verticale .
 Vertikale montage . Vertikal montering . Montagem vertical



Hängender Einbau . Suspended Installation . Installation suspendue . Montaggio sospeso .
 Hangende montage . Hängande montering . Montagem suspensa



Winkeleinstellschalter
Angle adjustment switches
Commutateurs de réglage d'angle
Conmutadores de ajuste de ángulo
 Interruttori di regolazione dell'angolatura
Vinkelinställningsomkopplare
 Schakelaars voor installatiehoek
 Interruptor de ajuste do ângulo



Einbauwinkel Installation angle Angle d'installation Angulo de instalación Angolo di installazione Monteringsvinkel Installatiehoek Angulo de instalação	0°~5°	40°~50°	85°~90°
Winkeleinstellschalter-Position Angle adjustment switch position Position des cotateurs de réglage d'angle Posición de los conmutadores de ajuste de ángulo Posizione interruttore di regolazione Vinkelinstallingsomkopplare-position Stand van de schakelaar overeenkomstig met de installatiehoek Posição para os interruptores de ajuste do ângulo			

Anschluß . Connection . Raccordement . Conexión . Allacciamento . Aansluiting . Anslutning . Conexão

A

Für die Dauer der Montage und des Anschlusses ist der Minuspol der Batterie abzuklemmen. Hierbei sind die Sicherheitshinweise des Kfz-Herstellers (Airbag, Alarmanlagen, Bordcomputer, Wegfahrsperrern) zu beachten. Beim Bohren von Löchern darauf achten, daß keine Fahrzeugteile (Batterie, Kabel, Sicherungskasten) beschädigt werden.

- Disconnect the vehicle battery's negative terminal before making connections. Be sure to observe the safety notes of the automobile manufacturer (airbags, alarm systems, on-board computers, immobilisers). Before drilling holes, look to see what is on the other side - making holes into the battery, wiring looms or fuse box is not recommended!
- Débrancher le pôle négatif de la batterie pendant les opérations de montage et de branchement. Prendre note des indications de sécurité du fabricant du véhicule (airbag, alarmes, ordinateur de bord, dispositifs de blocage des roues). En perçant des trous, veiller à ce que les éléments du véhicule (batterie, câble, boîte à fusibles) ne soient pas endommagés.
- Per tutta la durata delle operazioni di montaggio e di allacciamento il polo negativo della batteria deve rimanere distaccato. Quando si effettua questo intervento bisogna attenersi alle note di sicurezza del fabbricante d'auto (airbag, impianto di allarme, computer di bordo, bloccaggio di avvio). Quando si trapano fori bisogna fare attenzione a non danneggiare nessun elemento di veicolo (batteria, cavo, scatola dei fusibili).
- Tijdens de montage en de aansluiting moet de minpool van de accu worden ontkoppeld. Hierbij moeten de veiligheidsvoorschriften van de autofabrikant (airbag, alarminstallaties, boordcomputer, wegrijbeveiliging) in acht worden genomen. Let er bij het boren van gaten op dat geen onderdelen van de auto (accu, kabels, zekeringskasten) beschadigd worden.
- Under monterings- och inkopplingstiden skall bilbatteriets minuspol vara lossad. Beakta biltillverkarens säkerhetsanvisningar (airbag, alarmanläggning, farddator, startsparr). Var noga med att inga delar i bilen (batten, ledningar, säkringshållare) skadas vid borming av hål.
- Desconecte el terminal negativo de la batería del vehículo antes de hacer las conexiones. Observe las informaciones de seguridad del fabricante del vehículo (con respecto a airbags, sistema de alarma, ordenador de a bordo, inmovilizador). Antes de taladrar agujeros, asegúrese de no dañar ningunas partes del vehículo (batería, cableado, caja de fusibles).
- Durante o tempo da montagem e da ligação, desapertar o terminal do borne negativo da bateria. Seguir as instruções de segurança do construtor do veículo (airbag, sistemas anti-roubo, computadores de bordo, sistemas imobilizadores). Na furagem de buracos, dar atenção a não danificar quaisquer peças do veículo (bateria, cabos, caixa de fusíveis).

ies de montagem

Bei der hängenden Montage unter der Heckablage oder im Kofferraum beachten Sie folgende Vorsichtsmaßnahmen:

- Wählen Sie den Befestigungsort so aus, daß die Einheit horizontal montiert werden kann.
- Achten Sie darauf, daß die Einheit die Federn, den Arm usw. des Kofferraumdeckels nicht behindert.

When the unit is to be installed under the backshelf or in the trunk, note the following:

- Choose the mounting location carefully so that the unit can be installed horizontally.
- Make sure that the unit does not hinder the movement of the torsion bar spring etc. of the trunk flap.

Si l'appareil doit être installé sous le plateau arrière ou dans le coffre, par exemple, prendre d'abord les précautions suivantes.

- Bien choisir l'emplacement pour pouvoir installer l'appareil à l'horizontale.
- Vérifier que l'appareil ne gêne pas le mouvement du ressort du capot, entre autres.

Cuando desee instalar la unidad en la bandeja trasera o dentro del portaequipajes, tenga en cuenta lo siguiente:

- Elija cuidadosamente el lugar de montaje de forma que la unidad pueda instalarse horizontalmente.
- Cerciórese de que la unidad no impida el movimiento del resorte de la barra de torsión, el brazo etc., de la tapa del portaequipajes.

Nel caso di un montaggio sospeso sotto il ripiano posteriore oppure nel vano bagagli osservare le seguenti misure di sicurezza:

- Scegliere con cura il luogo di fissaggio in modo che l'apparecchio possa essere montato in posizione orizzontale.
- Fare attenzione al fatto, che l'apparecchio non ostacoli le molle, il braccio ecc. del coperchio del portabagagli.

Bij montage hangend onder de hoedenplank (of anderszins in de kofferruimte) de inbouwplaats zo kiezen dat de wisselaar horizontaal gemonteerd kan worden.

- De wisselaar mag de vrije beweging van veren/armen van achterklep of kofferdeksel niet belemmeren.

När växlare monteras hängande under hatthyllan eller i bagageutrymmet är det viktigt att tänka på följande:

- Välj noga platsen så att växlaren hänger horisontellt.
- Se noga till så att bagageluckans fjädrar eller stag ej hindras.

No caso de uma montagem suspensa sob o porta-chapéu ou na mala, observe as seguintes medidas de segurança:

- Escolha o local de fixação atenciosamente para que a unidade possa ser montada horizontalmente.
- Atenção para que a unidade não impessa as molas e o braço da mala.

, Winkeleinstellschalter . Angle adjustment switches . Commutateurs de réglage d'angle . Conmutadores de ajuste de ángulo . Interruttori di regolazione dell'angolatura . Vinkelinställningsomkopplare . Schakelaars voor installatiehoek . Interruptor de ajuste do ângulo

- Die Winkeleinstellschalter an der Seite müssen entsprechend des Einbauwinkels des CD-Autowechslers eingestellt werden. Beide Schalter werden auf die gleiche Position eingestellt. Wenn die Schalter nicht richtig eingestellt sind, können Tonausfälle und andere Fehlfunktionen eintreten.
- The angle adjust switches at the side part are to be set in accordance with the installation angle of the automatic CD changer. Set both switches to the same position. If the switches are not set correctly, audio failures and other malfunction may occur.
- Les commutateurs de réglage d'angle qui se trouvent sur le panneau du fond doivent être placés dans la position correspondant à l'angle d'installation du changeur de CD. Les deux commutateurs doivent être dans la même position. Si ces commutateurs ne sont pas convenablement réglés, il peut y avoir des rates de son ou d'autres problèmes de fonctionnement.
- Gli interruttori di regolazione dell'angolatura del pannello posteriore, disposti lateralmente, vengono regolati sull'angolo di installazione del cambia CD automatico. Ambedue si devono trovare nella stessa posizione. Se non fossero regolati bene, la riproduzione potrebbe „saltare“ o si potrebbero avere altri errori di funzionamento.
- De schakelaars aan de zijkant dienen in overeenstemming met de hoek waarin de automatische CD-wisselaar is geïnstalleerd te worden gesteld. Druk beide schakelaars in dezelfde stand. Indien de schakelaars niet in de juiste stand zijn gedrukt, zal het geluid mogelijk „overspringen“ of het toestel anderzijds niet juist functioneren.
- Vinkelinställningsomkopplarna, på sidan, måste ställas in på den position som växlaren skall monteras i. Båda omkopplarna måste ställas på samma position. Om omkopplarna ej ställs i rätt läge kan ljudbortfall och andra funktionsstörningar uppträda.
- Los conmutadores de ajuste de ángulo ubicados en el panel lateral deberán ajustarse según el ángulo de instalación del cambiador de discos compactos automático. Ponga ambos conmutadores en la misma posición. Si los conmutadores están mal ajustados, el sonido saltará o podrá producirse un mal funcionamiento.
- Os interruptores de ajuste do ângulo situados na lateral, devem ajustar-se segundo o ângulo de instalação do CD-Changer automático. Coloque os dois interruptores na mesma posição. Se os interruptores estiverem mal ajustados, poderá ocorrer salto de som ou outro problema de funcionamento.